

Click object to rotate

Mono



Twin Monoblock 23mm LNB ,4.3° for 60cm dish

IDLB-TWNM22-DU043-6PP 6°3°

Item: 3529

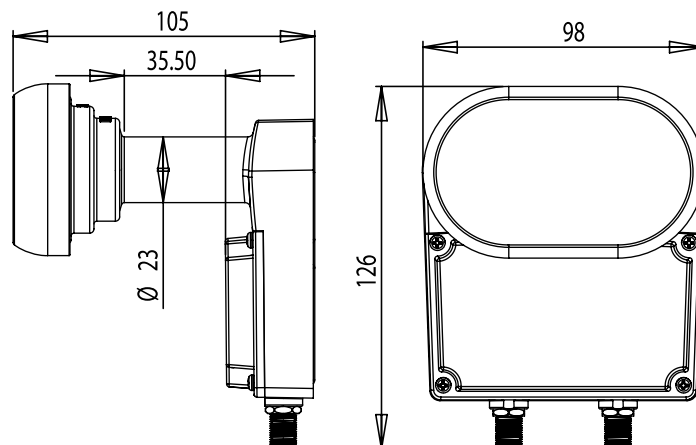
This Monoblock LNB was specifically designed for the Netherlands for the reception of ASTRA 19.2° East and 23.5° East and the independent distribution of their signal to up to 2 single tuner Set-top boxes (or 1 in the case of a double-tuner STB). It can be used for satellite broadcast reception of any two satellites spaced with 4.3° degrees on an 60cm dish antenna. It is optimized for High Definition transmissions, provides excellent Noise Figure performance and manufactured to the highest industry quality standards.

Main Features:

- Two outputs
- Low phase noise HDTV/DVB-S2 compliant
- Low Power consumption
- Very high Cross-Polar and Cross-Satellite performance

Technical data

Low Band Input Frequency Range	10.7 ~ 11.7 GHz
Low Band Output Frequency Range	950 ~ 1950 MHz
Low Band LO Frequency	9.75 GHz
High Band Input Frequency Range	11.7 ~ 12.75 GHz
High Band Output Frequency Range	1100 ~ 2150 MHz
High Band LO Frequency	10.6 GHz
Noise Figure	0.2 dB Typ. (0.7 dB Max.)
LO Initial Accuracy	+/- 1.0 MHz Max.
LO Temperature Drift	+/- 3.0 MHz Max.
Phase Noise (@ 10 kHz)	- 90 dBc / Hz Max.
Conversion Gain	50 ~ 60 dB Min.
Gain Ripple (Over 26 MHz Bandwidth)	+/- 0.75 dB
Gain Variation (Over Full Band)	+/- 4 dB Max.
Image Rejection	40 dB Min.
1 dB Compression Point (@ Output)	0.0 dBm Min.
Control: Satellite A/B Selection	"DiSEqC 1.0 (Sat A* = ASTRA 19.2° East, Sat B = ASTRA 23.5° East)"
Cross Polarization Isolation	22 dB Min.
Output VSWR	2.5 : 1
In-Band Spurious	- 60 dBm Max.
Current Consumption	200 mA Max. @ 11 ~ 20 V
Operating Temperature	- 30 °C ~ + 60 °C
Output Impedance	75 Ω
Output Connector	F-Type (Female)
Weight	495 g
Recommended Dish Size	55 ~ 65 cm (F/D = 0.6)
Monoblock Mounting Bracket	23 mm



For purpose of brevity, some product descriptions in this sheet remain at platform level and may not be referred to as detailed datasheets of the products. Inverto Digital Labs reserves the right to amend, omit or add products, product-lines, and / or features without notice.

For further details contact: sales@inverto.tv

FTA Communication Technologies S.a r.l Tel. +352 264 367 1 Fax. +352 264 313 68



www.inverto.tv